

DIAPHRAGM



Liquid Diaphragm Pumps

1210 SERIES

AQUAMARIN

MODELS

1210 DC
1210 LC



1210 DC Series

FEATURES

- Handles liquid/gas mixture
- Self priming
- High flow
- High pressure
- Compact design
- Reduced pulsation
- Bubble free media transfer

TYPICAL APPLICATIONS

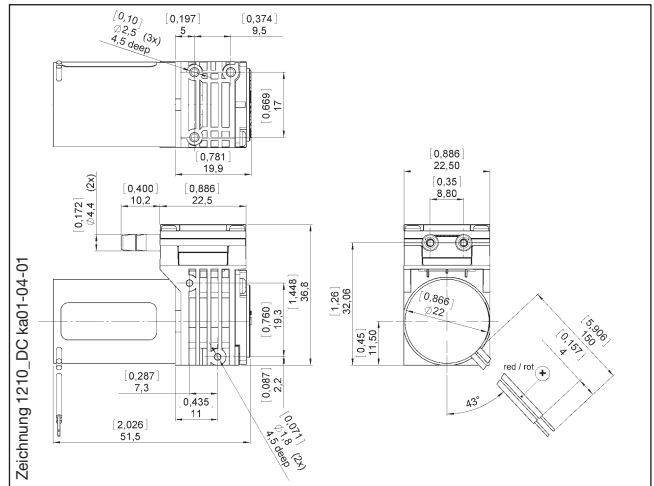
- Ink Jet Printers
- Diagnostic Workstations
- Fuel Cells



THOMAS
A Gardner Denver Product

Diaphragm Liquid Pump 1210 DC

Flow	180 ml/min
Pressure range	up to 80 m H₂O
Suction height	6 m H₂O



Hydraulic Data

Description	1210 DC PP/EPDM	1210 DC PP/FPM
Part number	12100001	12100051
	12100002	12100052
Max. flow	180 ml/min	150 ml/min
Max. intermittent pressure height	80 m H ₂ O	60 m H ₂ O
Max. continuous pressure height	30 m H ₂ O	30 m H ₂ O
Max. suction height	6 m H ₂ O	5 m H ₂ O

Electrical Data

Motor type	Ironless DC	Ironless DC
Nominal speed	2800 rpm	2700 rpm
Nominal voltage	12/24 V DC	12/24 V DC
Max. power consumption @ 10 mWS	1,5 W	1,6 W
Motor insulation class	H	H
Protection class	IP00	IP00
EMC protection	yes	yes

General Data

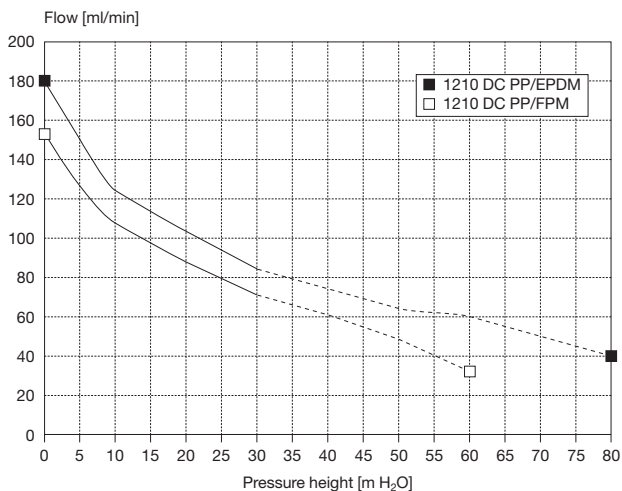
Ambient temperature	- 30 to 60°C	- 30 to 60°C
Media temperature	5 to 60°C	5 to 60°C
Weight	0,073 kg	0,073 kg

Wetted Parts

Pump head	PP	PP
Diaphragm	EPDM	FPM
Valves	EPDM	FPM

The technical data is related to a Polyurethane tubing, OD 6mm x ID 4mm, Hardness Shore D 52.

Flow Curves

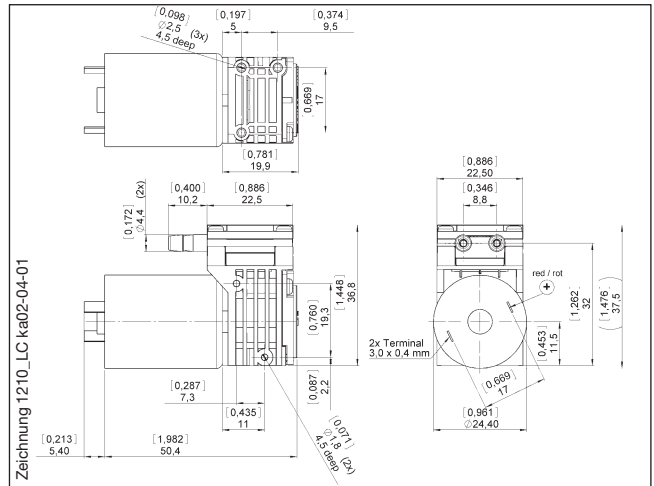


The information presented in this material is based on technical data and test results of nominal units. It is believed to be accurate and reliable and is offered as an aid to help in the selection of Thomas products. It is the responsibility of the user to determine the suitability of the product for the intended use and the user assumes all risk and liability whatsoever in connection therewith. Thomas does not warrant, guarantee or assume any obligation or liability in connection with this information.

1210... Stock programme

Diaphragm Liquid Pump 1210 LC

Flow	180 ml/min
Pressure range	up to 80 m H₂O
Suction height	6 m H₂O



Hydraulic Data			
Description		1210 LC PP/EPDM	1210 LC PP/FPM
Part number	12 V DC	12100003	12100053
	24 V DC	12100004	12100054
Max. flow		180 ml/min	150 ml/min
Max. intermittent pressure height		80 m H ₂ O	60 m H ₂ O
Max. continuous pressure height		30 m H ₂ O	30 m H ₂ O
Max. suction height		6 m H ₂ O	5 m H ₂ O

Electrical Data			
Motor type		Brushed DC	Brushed DC
Nominal speed		3100 rpm	3000 rpm
Nominal voltage		12/24 V DC	12/24 V DC
Max. power consumption @ 10 mWS		2,2 W	2,3 W
Motor insulation class		B	B
Protection class		IP00	IP00
EMC protection		yes	yes

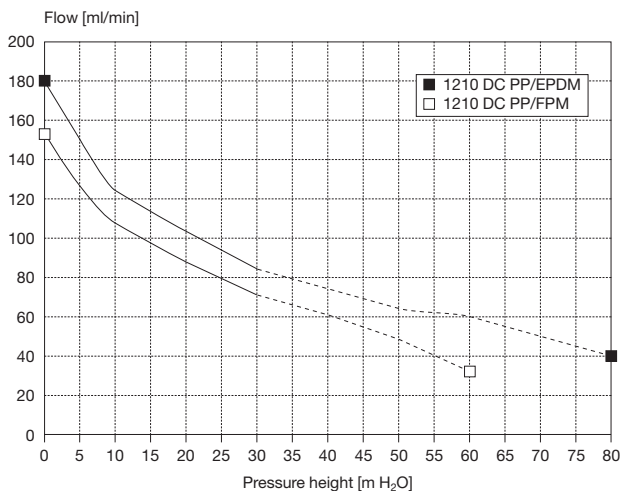
General Data			
Ambient temperature		- 30 to 60°C	- 30 to 60°C
Media temperature		5 to 60°C	5 to 60°C
Weight		0,063 kg	0,063 kg

Wetted Parts		
Pump head	PP	PP
Diaphragm	EPDM	FPM
Valves	EPDM	FPM

The technical data is related to a Polyurethane tubing, OD 6mm x ID 4mm, Hardness Shore D 52.

Flow Curves

1210... Stock programme



The information presented in this material is based on technical data and test results of nominal units. It is believed to be accurate and reliable and is offered as an aid to help in the selection of Thomas products. It is the responsibility of the user to determine the suitability of the product for the intended use and the user assumes all risk and liability whatsoever in connection therewith. Thomas does not warrant, guarantee or assume any obligation or liability in connection with this information.





Printed in Germany.
Art.-Nr.: 17000223 05/2011
ClimatePartner 
printed climate-neutrally

Gardner Denver Thomas GmbH
Benzstraße 28 · Gewerbegebiet Nord · D-82178 Puchheim
Phone: +49 89 80900-0 · Fax: +49 89 808368
e-Mail: thomas.de@gardnerdenver.com · <http://www.gd-thomas.com>