

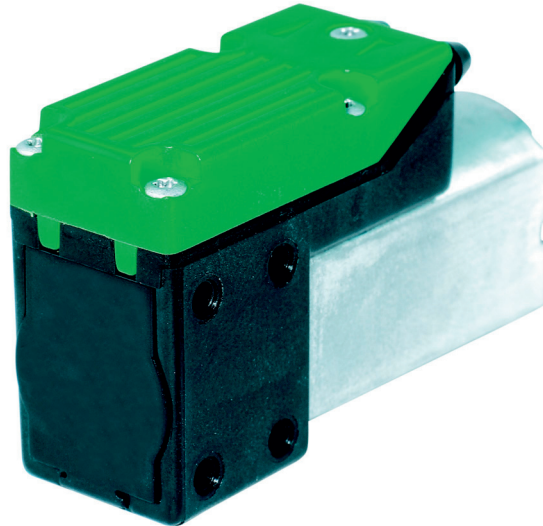
DIAPHRAGM



Oval Diaphragm Pump

MODELS

4002 V
4002 D



PRODUCT FEATURES

- Compact
- Oil-less
- High pneumatic performance
- Light weight
- Low cost design
- Continuous running possible
- Pressure or vacuum version

TYPICAL APPLICATIONS

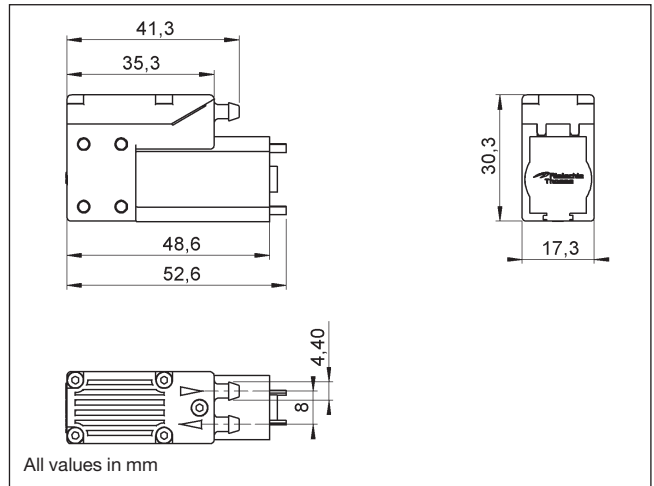
- Hand held devices
- Air/gas sampler
- Gas detectors
- Flue gas analyser



THOMAS
A Gardner Denver Product

Oval Diaphragm Pump 4002

Max. flow	2,0 l/min
Max. pressure	700 mbar
Max. vacuum	- 600 mbar



Pneumatic Data

Description	4002 V/1,4/E/LC	4002 D/1,4/E/LC
Part number	40020039	40020040
Max. flow	2,0 l/min	2,0 l/min
Max. intermittent duty		700 mbar
Max. continuous pressure		200 mbar
Max. restart pressure		200 mbar
Max. vacuum	-600 mbar	
Max. continuous vacuum	-200 mbar	
Max. restart vacuum	-200 mbar	

Electrical Data

Motor type	Standard DC	Standard DC
Nominal voltage	6 VDC	6 VDC
Power consumption	3 W	3 W
Protection class	IP00	IP00

General Data

Ambient temperature	10 to 40 °C	10 to 40 °C
Media temperature	10 to 40 °C	10 to 40 °C
Weight	45 g	45 g

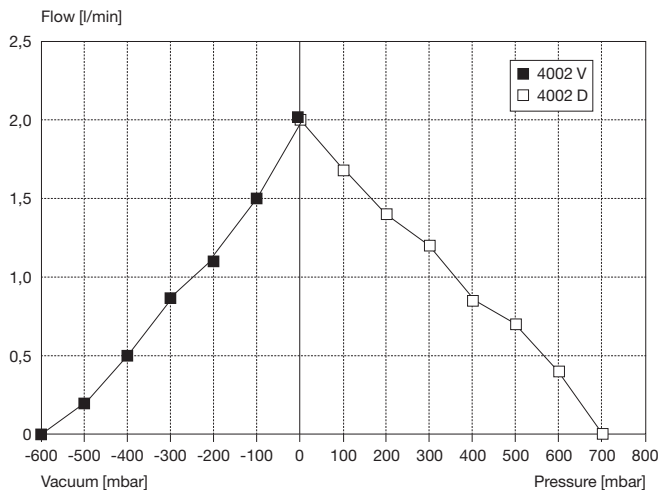
Wetted parts:

Pump head	Polycarbonate
Diaphragm, valves	EPDM

Optional:

Viton® (FPM)

Flow curves



On request:

Motor Quality DC
Brushless DC

4002... Stock programme

V = Vacuum Diaphragm-/
D = Pressure valve material
4002 V/D / 1,4 / E / LC
Type Eccentric Motor

The information presented in this material is based on technical data and test results of nominal units. It is believed to be accurate and reliable and is offered as an aid to help in the selection of Rietschle Thomas products. It is the responsibility of the user to determine the suitability of the product for the intended use and the user assumes all risk and liability whatsoever in connection therewith. Rietschle Thomas does not warrant, guarantee or assume any obligation or liability in connection with this information.

THOMAS
A Gardner Denver Product

Printed in Germany.
Art.-Nr.: 17000211 04/2008

Carbon Neutral printed

Gardner Denver Thomas GmbH
Siemensstraße 4 · Gewerbegebiet Nord · D-82178 Puchheim
Phone: +49 89 80900-0 · Fax: +49 89 808368
e-Mail: thomas.de@gardnerdenver.com · http://www.gd-thomas.com