

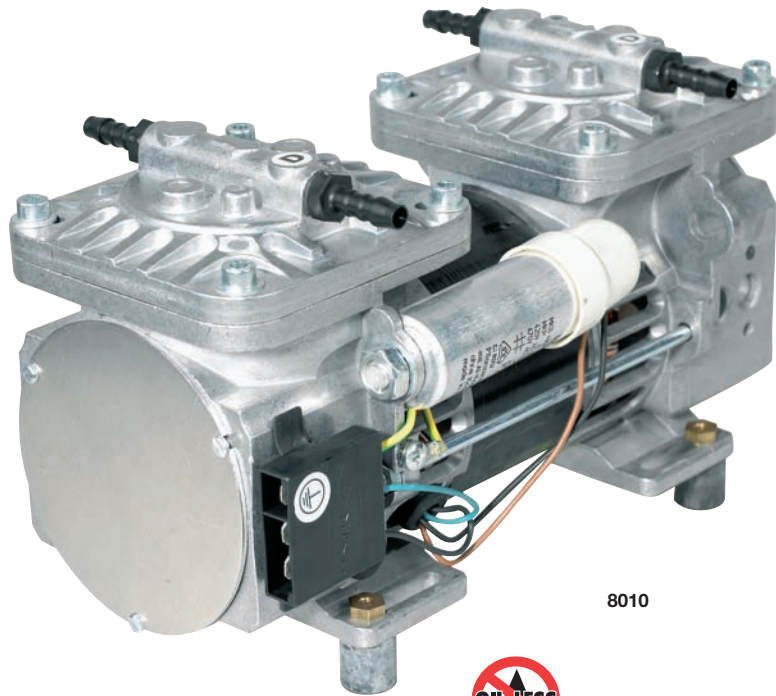
DIAPHRAGM



Diaphragm Pumps

MODELS

8010
8015



8010



FEATURES

- Oil-less
- Maintenance free
- Long life
- Low vibration
- High performance
- Large choice in materials

TYPICAL APPLICATIONS

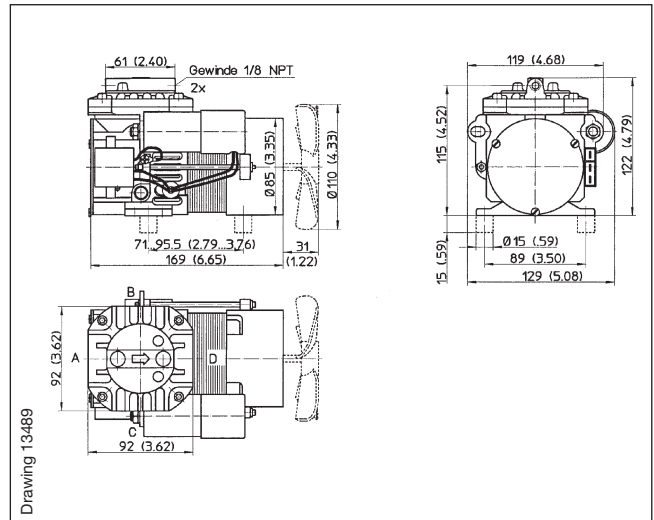
- Medical devices
- Surgical suction devices
- Respirators
- Environmental
- Reproductive machines



THOMAS
A Gardner Denver Product

Diaphragm Pump 8010 AC

Flow	28,0 l/min
Max. pressure	3,0 bar
Max. vacuum	78%



Pneumatic Data

Description	8010VD/25/AVN/AC	8010D/25/AVN/AC	8010V/25/AVN/AC
Part number	115 V/60 Hz 230 V/50 Hz	80100035*	80101004
Max. flow	28,0 l/min	23,0 l/min	23,0 l/min
Max. pressure	3,0 bar	2,8 bar	2,8 bar
Max. continuous pressure	1,0 bar	1,0 bar	1,0 bar
Max. restart pressure	Ambient pressure	2,8 bar	2,8 bar
Max. vacuum	78%		78%
Max. continuous vacuum	78%		78%
Max. restart vacuum	Ambient pressure		78%

Electrical Data

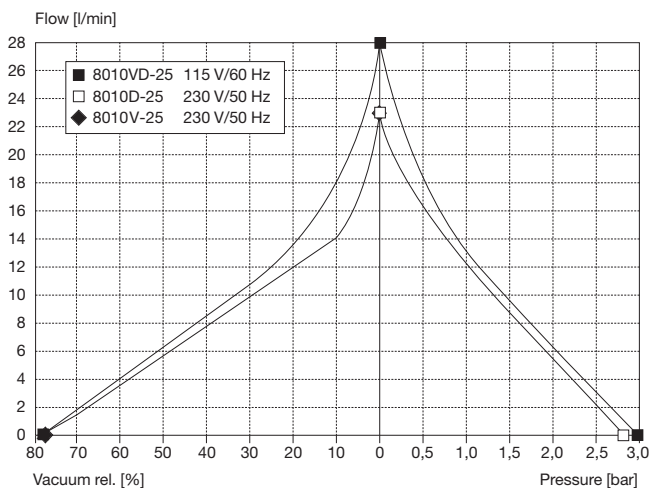
Motor type	Capacitor	Capacitor	Capacitor
Nominal voltage	115 V 50/60 Hz	230 V/50 Hz	230 V/50 Hz
Nominal speed at max. load	1500 rpm	1250 rpm	1250 rpm
Rated power	1,15 A	0,38 A	0,38 A
Power consumption	125 W	103 W	103 W
Motor insulation class	F	F	F
Protection class	IP00	IP00	IP00
Thermal switch	140 °C	140 °C	140 °C

General Data

Ambient temperature	15 to 40 °C	15 to 40 °C	15 to 40 °C
Media temperature	10 to 60 °C	10 to 60 °C	10 to 60 °C
Weight	2,5 kg	2,5 kg	2,5 kg
Port direction	CB	AD	AD

*Part number changes when restart against pressure or vacuum is required

Flow curves



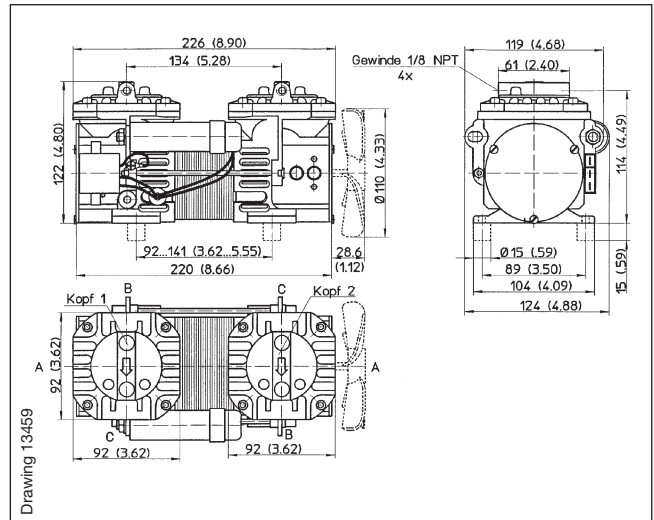
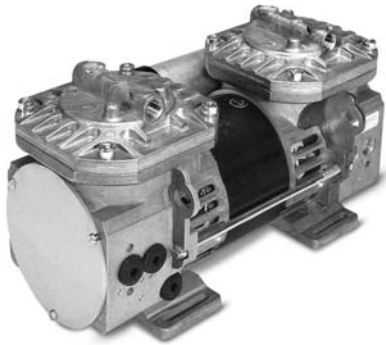
Choice of materials:	Standard	Option
Chamber + head	Alu	VA 1.4571 Alu coated
Diaphragm	NBR	EKM (Viton) PTFE with stabilizer
Valves	EKM (Viton)	PTFE Kalrez

Model key:
 O-rings 8010... Stock programme
 Chamber | Motor type
 8010 V(D) / 25 / A V N / AC
 Type | Eccentric Diaphragm, Valves
 Vacuum (Pressure)

The information presented in this material is based on technical data and test results of nominal units. It is believed to be accurate and reliable and is offered as an aid to help in the selection of Thomas products. It is the responsibility of the user to determine the suitability of the product for the intended use and the user assumes all risk and liability whatsoever in connection therewith. Thomas does not warrant, guarantee or assume any obligation or liability in connection with this information.

Diaphragm Pump 8010Z AC

Flow	45,6 l/min
Max. pressure	2,8 bar
Max. vacuum	92%



Pneumatic Data

Description	8010ZVD/25/AVN/AC	8010ZDP/25/AVN/AC	8010ZVP/25/AVN/AC	8010ZVR/28/AVN/AC
Part number	115 V/60 Hz 230 V/50 Hz	80100131*	80101013	80100034
Max. flow	45,6 l/min	38,0 l/min	38,0 l/min	26,0 l/min
Max. pressure	2,0 bar	2,8 bar	2,8 bar	2,8 bar
Max. continuous pressure	0,8 bar	0,8 bar	0,8 bar	0,8 bar
Max. restart pressure	Ambient pressure	1,0 bar	1,0 bar	1,0 bar
Max. vacuum	78%	78%	78%	92%
Max. continuous vacuum	78%	78%	78%	92%
Max. restart vacuum	78%	78%	78%	92%

Electrical Data

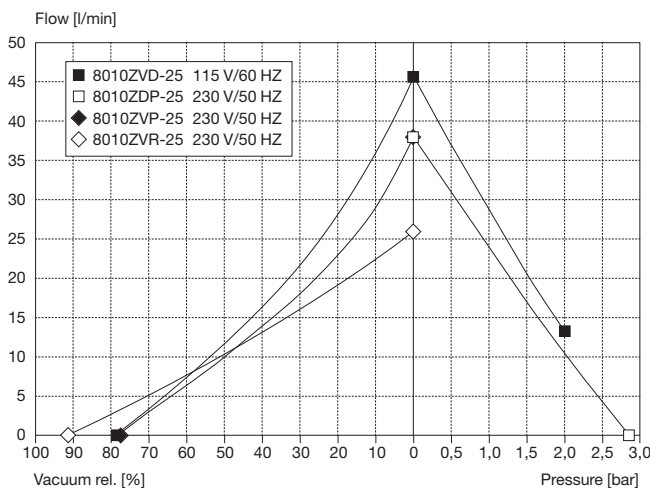
Motor type	Capacitor	Capacitor	Capacitor	Capacitor
Nominal voltage	115 V/60 Hz	230 V/50 Hz	230 V/50 Hz	230 V/50 Hz
Nominal speed at max. load	1500 rpm	1200 rpm	1200 rpm	1200 rpm
Rated power	1,0 A	0,57 A	0,57 A	0,57 A
Starting current	1,3 A	0,64 A	0,64 A	0,64 A
Power consumption	160 W	135 W	135 W	135 W
Motor insulation class	F	F	F	F
Protection class	IP00	IP00	IP00	IP00
Thermal switch	140 °C	140 °C	140 °C	140 °C

General Data

Ambient temperature	15 to 40 °C	15 to 40 °C	15 to 40 °C	15 to 40 °C
Media temperature	10 to 60 °C	10 to 60 °C	10 to 60 °C	10 to 60 °C
Weight	3,4 kg	3,4 kg	3,4 kg	3,4 kg
Configuration	Parallel	Parallel	Parallel	Series

*No restart against pressure

Flow curves



Choice of materials:	Standard	Option
Chamber + head	Alu	VA 1.4571 Alu coated
Diaphragm	NBR	EKM (Viton) PTFE with stabilizer
Valves	EKM (Viton)	PTFE Kalrez

Model key:

8010 Z V(D) P(R) / 25 / A V N / AC

Type | Eccentric | Diaphragm, Valves

Vacuum P = Parallel
(Pressure) R = Series

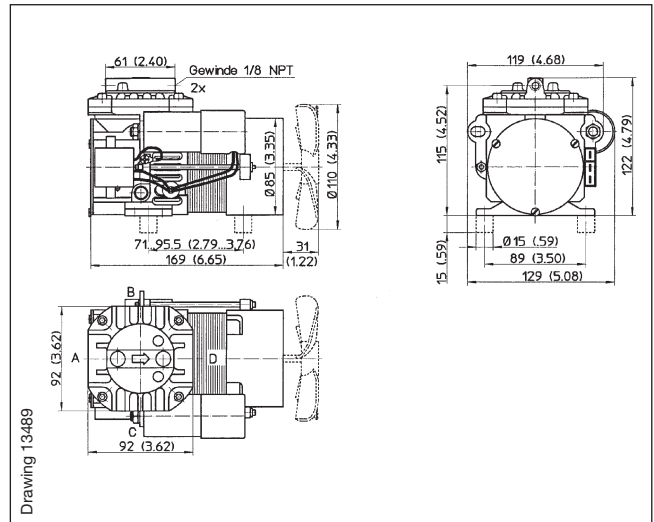
8010... Stock programme

The information presented in this material is based on technical data and test results of nominal units. It is believed to be accurate and reliable and is offered as an aid to help in the selection of Thomas products. It is the responsibility of the user to determine the suitability of the product for the intended use and the user assumes all risk and liability whatsoever in connection therewith. Thomas does not warrant, guarantee or assume any obligation or liability in connection with this information.

THOMAS
A Gardner Denver Product

Diaphragm Pump 8015 AC

Flow	28,0 l/min
Max. pressure	> 3,0 bar
Max. vacuum	83%



Pneumatic Data

Description	8015D/35/AVN/AC	8015V/35/AVN/AC
Part number	230 V/50 Hz 80151001	80151002
Max. flow	28,0 l/min	28,0 l/min
Max. pressure	> 3,0 bar	
Max. continuous pressure	0,8 bar	
Max. restart pressure	2,5 bar	
Max. vacuum		83%
Max. continuous vacuum		83%
Max. restart vacuum		83%

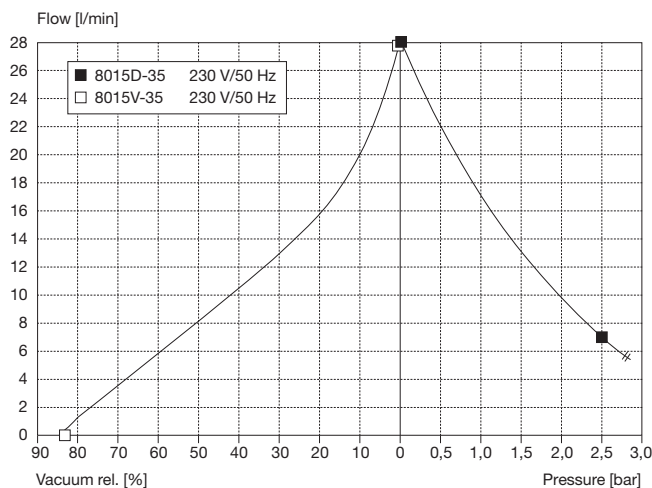
Electrical Data

Motor type	Capacitor	Capacitor
Nominal voltage	230 V/50Hz	230 V/50Hz
Nominal speed at max. load	1250 rpm	1250 rpm
Rated power	0,38 A	0,38 A
Starting current	0,45 A	0,45 A
Power consumption	103 W	103 W
Motor insulation class	F	F
Protection class	IP00	IP00
Thermal switch	140 °C	140 °C

General Data

Ambient temperature	15 to 40 °C	15 to 40 °C
Media temperature	10 to 60 °C	10 to 60 °C
Weight	2,5 kg	2,5 kg

Flow curves



Choice of materials:	Standard	Option
Chamber + head	Alu	VA 1.4571 Alu coated
Diaphragm	NBR	EKM (Viton) PTFE with stabilizer
Valves	EKM (Viton)	PTFE Kalrez

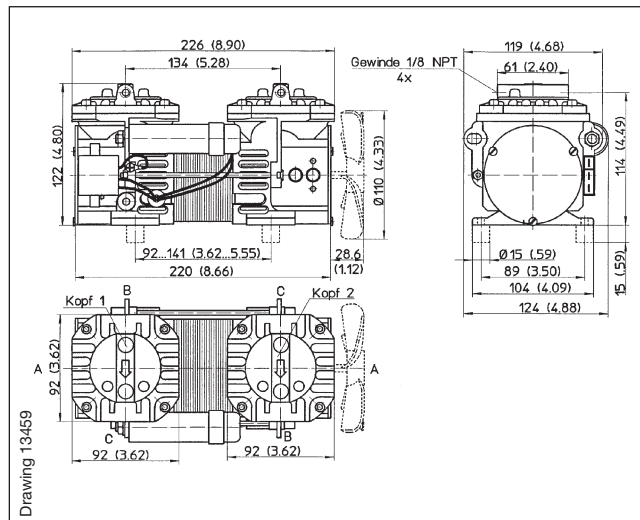
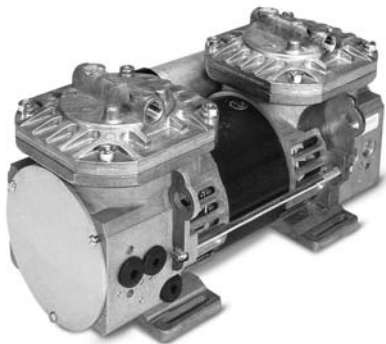
Model key:

O-rings
 Chamber } Motor type
 8010 V(D) / 35 / A V N / AC
 Type } Eccentric Diaphragm/Valves
 Vacuum (Pressure)

The information presented in this material is based on technical data and test results of nominal units. It is believed to be accurate and reliable and is offered as an aid to help in the selection of Thomas products. It is the responsibility of the user to determine the suitability of the product for the intended use and the user assumes all risk and liability whatsoever in connection therewith. Thomas does not warrant, guarantee or assume any obligation or liability in connection with this information.

Diaphragm Pump 8015Z AC

Flow	50,0 l/min
Max. vacuum	96%



Pneumatic Data

Description	8015ZVP/35/AVN/AC	8015ZVR/35/AVN/AC
Part number	230 V/50 Hz 80150043	80150035
Max. flow	50,0 l/min	29,0 l/min
Max. vacuum	83%	96%
Max. continuous vacuum	83%	96%
Max. restart vacuum	83%	96%

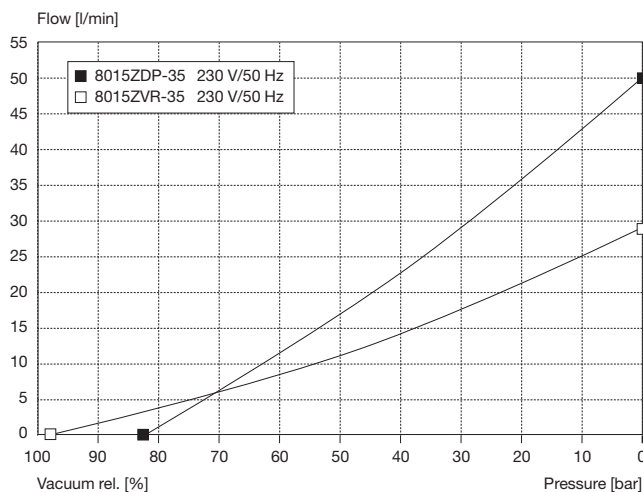
Electrical Data

Motor type	Capacitor	Capacitor	Capacitor
Nominal voltage	230V/50Hz	230V/50Hz	230V/50Hz
Nominal speed at max. load	1250 rpm	1250 rpm	1250 rpm
Rated power	0,45 A	0,45 A	0,45 A
Starting current	0,53 A	0,53 A	0,53 A
Power consumption	135 W	135 W	135 W
Motor insulation class	F	F	F
Protection class	IP00	IP00	IP00
Thermal switch	140 °C	140 °C	140 °C

General Data

Ambient temperature	15 to 40 °C	15 to 40 °C	15 to 40 °C
Media temperature	10 to 60 °C	10 to 60 °C	10 to 60 °C
Weight	3,9 kg	3,9 kg	3,9 kg
Configuration	Parallel	Parallel	Series

Flow curves



Choice of materials:	Standard	Option
Chamber + head	Alu	VA 1.4571 Alu coated
Diaphragm	NBR	EKM (Viton) PTFE with stabilizer
Valves	EKM (Viton)	PTFE Kalrez

Model key:

8015 Z V(D) P(R) / 20 / A V N / AC

Type: Vacuum P = Parallel (Pressure) R = Series

Options: O-rings, Chamber, Motor type, Eccentric, Diaphragm, Valves

The information presented in this material is based on technical data and test results of nominal units. It is believed to be accurate and reliable and is offered as an aid to help in the selection of Thomas products. It is the responsibility of the user to determine the suitability of the product for the intended use and the user assumes all risk and liability whatsoever in connection therewith. Thomas does not warrant, guarantee or assume any obligation or liability in connection with this information.



Printed in Germany.
Art.-Nr.: 17000069 05/2011
ClimatePartner 
printed climate-neutrally

Gardner Denver Thomas GmbH
Benzstraße 28 · Gewerbegebiet Nord · D-82178 Puchheim
Phone: +49 89 80900-0 · Fax: +49 89 808368
e-Mail: thomas.de@gardnerdenver.com · <http://www.gd-thomas.com>